

H系列控制杆

H Series Joysticks

工作原理 Working Principle

采用霍尔效应传感器，以磁场为工作媒体，将物体的运动量转变为模拟或数字电压的形式输出，使之具备传感或开关的功能。

Effect sensor will be applied. Working in the magnetic field, in which the movement of the joystick will be transferred and output as a digital voltage, which made joysticks work as sensors and joysticks.

特点 Features

H系列控制杆是一个非接触式，采用霍尔效应传感器，弹簧自动复位，使用寿命长的控制杆。采用无接触的霍尔效应工艺，操作力较小，清洁方便，应用于对准确度和精密度要求比较高场合。

H joystick is a non-contact joystick with long life time. It applies hall effect sensor, handling soft, easy for cleaning, suitable for application where high accuracy and precision is required.

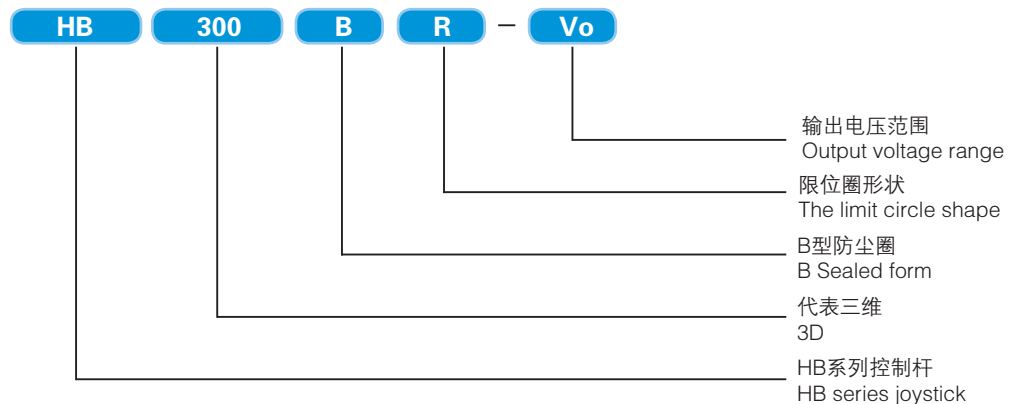
典型应用 Typical Applications

广泛应用于移动摄像和CCTV控制系统，测试计量设备，医药成像系统，自动化机器控制，视频编辑及生产设备，工业及科学用仪表等领域。

Hall joystick is widely applied to move photography CCTV control system, measurement equipments, medical imaging system, automotive control, video editing equipment, industrial and scientific instruments, etc.

型号选用说明

Model explanation



电气技术指标 Electrical data

参数 Specification	数值 Values
摆动角度 Pendulum angle	± 18°
使用寿命 Lifetime	大于100万次
电源电压 Power voltage	5.0 ± 0.5VDC
电源电流 Power current	20mA max/axis
输出电压 Output voltage	0~5VDC
输出线性误差 Output Tolerance	± 2%
工作温度 Working temperature	-20°C~+70°C
导线规格 Lead Size	AWG28铁氟龙绝缘镀银彩色导线 标准线长200mm或按客户要求 AWG28 silver plated, PTFE insulated, Standard length 200mm other lengths on request

导线颜色顺序

Lead color code

红色Red=5 VDC电源正极
Supply voltage positive
黑色Black=电源负极
Supply voltage negative
蓝色Blue=X轴 X axis
黄色Yellow=Y轴 Y axis
绿色Green=Z轴 Z axis
白色White=开关Switch
橙色Orange=开关Switch

输出电压 Output voltage

Vo	霍尔型，电源电压Vs为5VDC, 0%~50%~100%Vs电压输出 Hall type, power voltage is 5vdc, 0%~50%~100%Vs voltage output
V1	霍尔型，电源电压Vs为5VDC, 10%~50%~90%Vs电压输出 Hall type, power voltage is 5vdc, 10%~50%~90%Vs voltage output

HB系列控制杆 HB Series Joystick

主要特点 Features

- 控制盒体内运用单独的非接触式霍尔元件实现双轴
It can control dual axis by using contactless hall component
- 内部无连接导线
No inside connecting wire
- 12针插头端子输出
12 Pin connector output
- 控制盒体基座高度降低了8mm
Height of control body reduced by 8mm
- 性能更稳定
More stable performance
- 寿命更长
Longer life



HB200



HB300



HB400

外形尺寸 Outline Dimension

